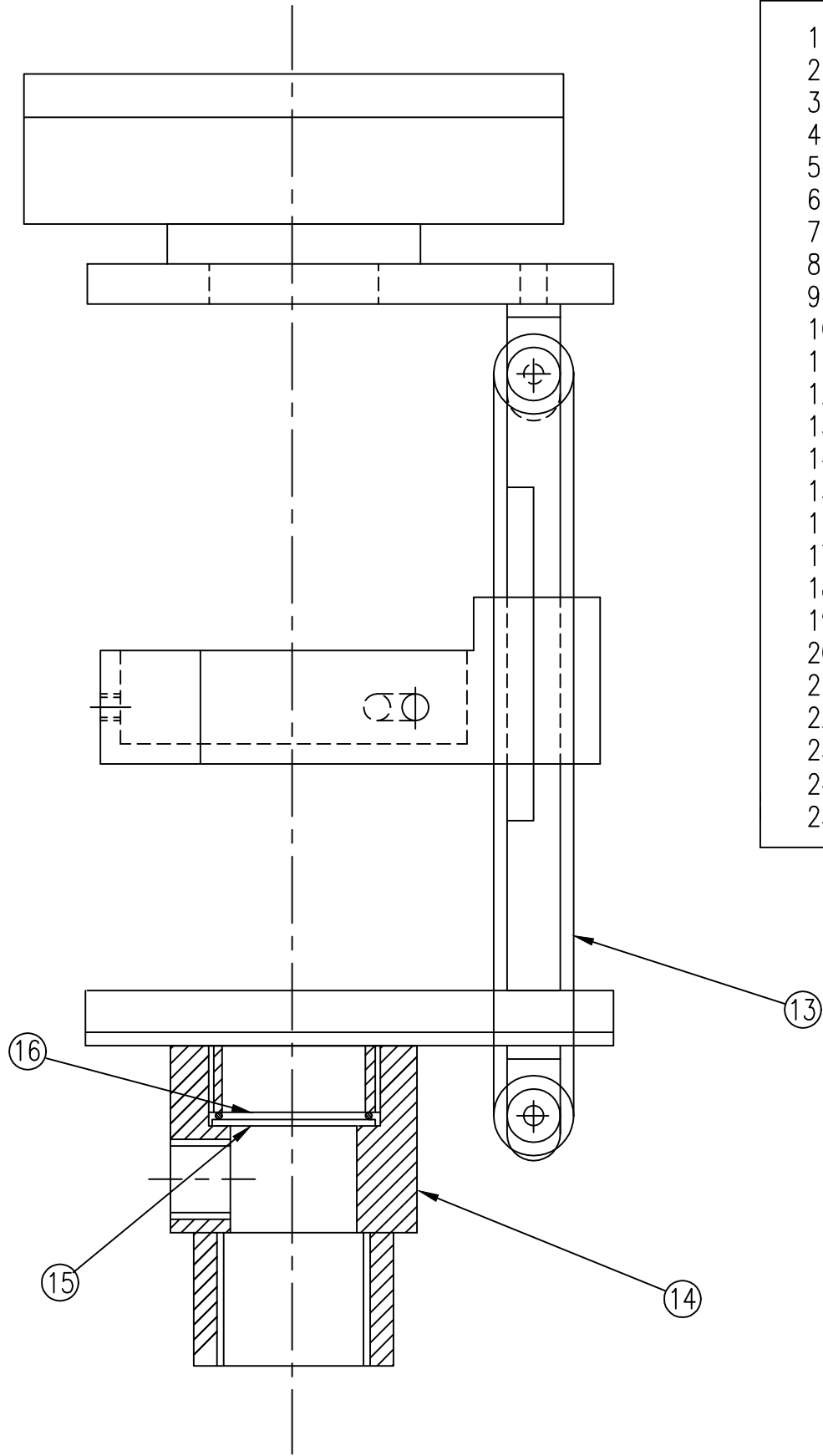


FRONT ELEVATION



SIDE ELEVATION

PARTS LIST			
PART No.	DESCRIPTION	No.OFF	MATERIAL
1	CONCENTRICITY TOP PLATE	1	ALUMINIUM
2	CONCENTRICITY INNER	1	ALUMINIUM
3	TOP PLATE	1	ALUMINIUM
4	RIGHT HAND SCALED ROD	1	SILVER STEEL
5	LENS CARRIER	1	ALUMINIUM
6	BOTTOM PLATE	1	ALUMINIUM
7	STUB ASSEMBLY	1	-----
8	PULLEY	2	ALUMINIUM
9	LEFT HAND ROD	1	SILVER STEEL
10	HANGER	4	NIMONIC
11	BAR	2	SILVER STEEL
12	CONCENTRICITY BODY	1	ALUMINIUM
13	TOOTHED PULLEY BELT	1	NYLON
14	COVER SLIP HOLDER	1	ALUMINIUM
15	COVER SLIP	1	GLASS
16	O-RING	1	RUBBER
17	M5 x 0.5 BOLT	4	MILD STEEL
18	M4 x 0.7 BOLT	4	MILD STEEL
19	LEFT HAND DOOR	1	ALUMINIUM
20	RIGHT HAND DOOR	1	ALUMINIUM
21	PULLEY CLAMP	1	ALUMINIUM
22	19 mm LENS ADAPTOR	1	ALUMINIUM
23	38 mm LENS ADAPTOR	1	ALUMINIUM
24	M4 x 0.7 GRUB SRCEW	4	MILD STEEL
25	4BA GRUB SCREW	3	MILD STEEL

NOTE: PART No.s 17 - 25 OMITTED FOR CLARITY

DIMENSIONS IN MM TOLERANCES UNLESS OTHERWISE STATED ± 0.2 SURFACE FINISHES U.O.S 63 MICRO INCHES	TITLE	PROJ
	LASER NOZZLE ASSEMBLY	
SCALE 1:1	MATERIAL	DRG No.