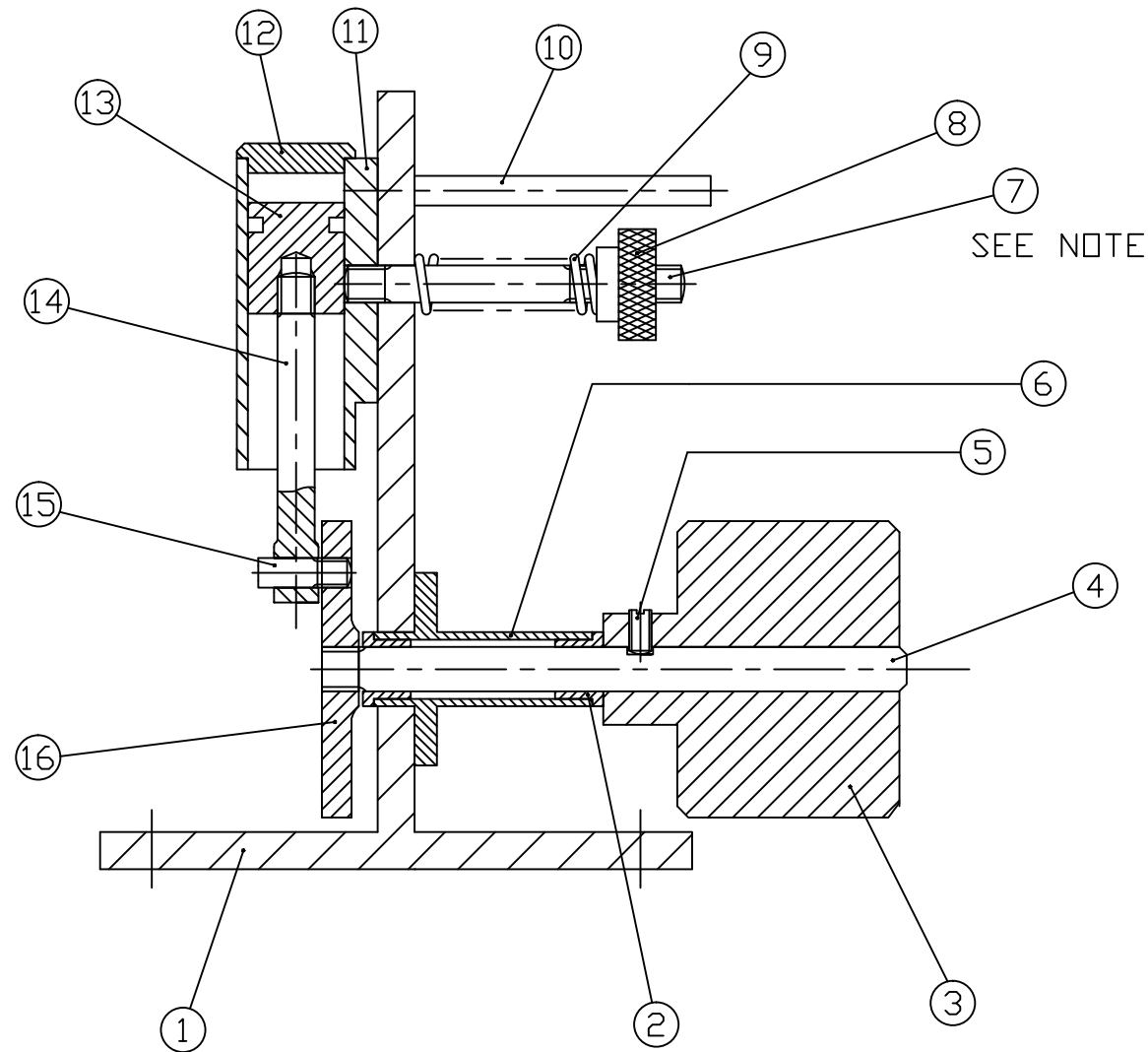
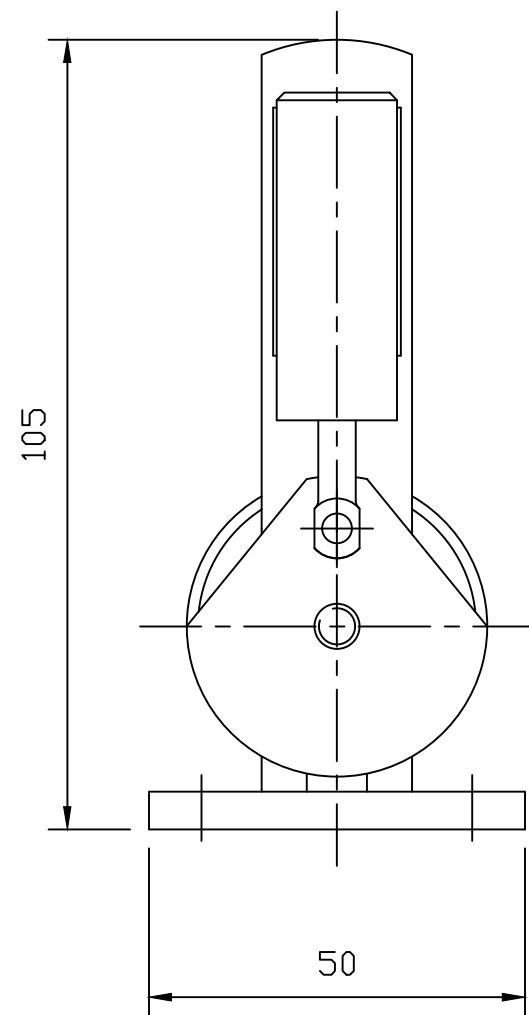
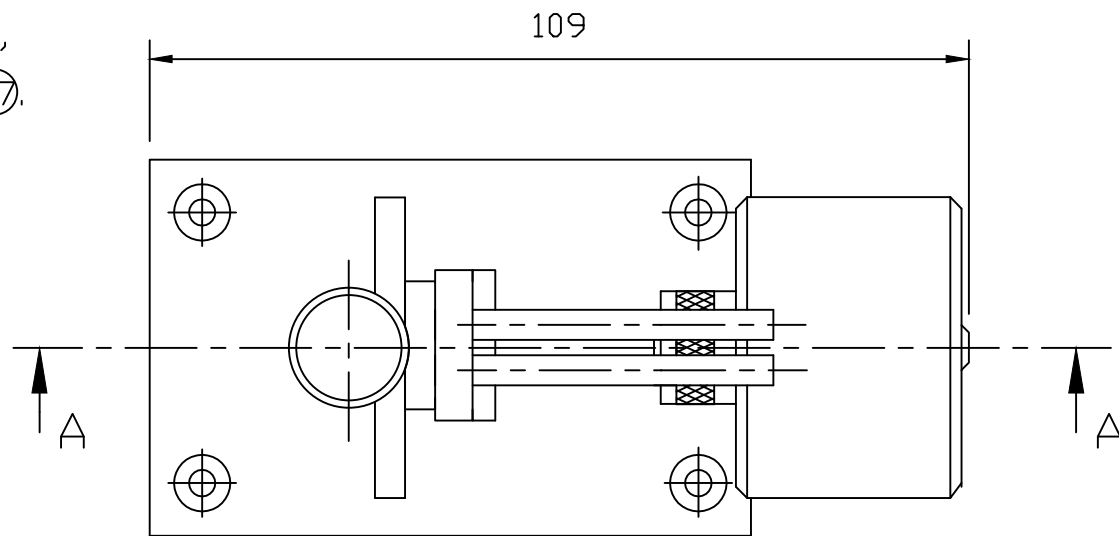


NOTE
 ASSEMBLE CYLINDER PIVOT,
 ITEM 7 TO CYLINDER ASSEMBLY,
 ITEM 11 USING LOCTITE, ITEM ⑰.
 DO NOT OVERTIGHTEN.



SECTION A-A

ITEM No.	No. OFF	DRG. No.	DESCRIPTION	MATERIAL
1	1	SUB 1	BASE ASSY	—————
2	2	13	BUSH	PHOSPHER BRONZE PB2
3	1	3	FLYWHEEL	CARBON STEEL BS970, 070M20
4	1	4	CRANKSHAFT	CARBON STEEL BS970, 070M20
5	1	-	GRUB SCREW - 5.5mm LONG	CARBON STEEL BS3692
6	1	12	BEARING HOUSING	CARBON STEEL BS970, 070M20
7	1	15	CYLINDER PIVOT	CARBON STEEL BS970, 070M20
8	1	-	KNURLED NUT	CARBON STEEL BS3692
9	1	-	SPRING	—————
10	2	14	CONNECTING PIPE	COPPER 20SWG
11	1	SUB2	CYLINDER ASSY	—————
12	1	7	HEAD	BRASS
13	1	8	PISTON	CARBON STEEL BS970, 080M40
14	1	9	CONNECTING ROD	CARBON STEEL BS970, 070M20
15	1	10	CRANK PIN	CARBON STEEL BS970, 070M20
16	1	11	CRANK WEB	CARBON STEEL BS970, 070M20
17	A/R	-	LOCTITE 221	—————

ISSUE	DRAWN	CHKD DATED	MODIFICATION
SCALE 1:1		DIMENSIONS IN mm U.O.S.	
MATERIAL: —————			
TOLERANCE, UNLESS OTHERWISE STATED:			
FINISH, EXCEPT WHERE STATED:			
REMOVE ALL BURRS AND SHARP EDGES			
PROJECTION			
Course/Project			Supervisor J.T.B
Title FINAL ASSEMBLY OF AIR ENGINE			
Drawing No. GA1	Issue 1	Drawn ALAN LONSDALE	Date