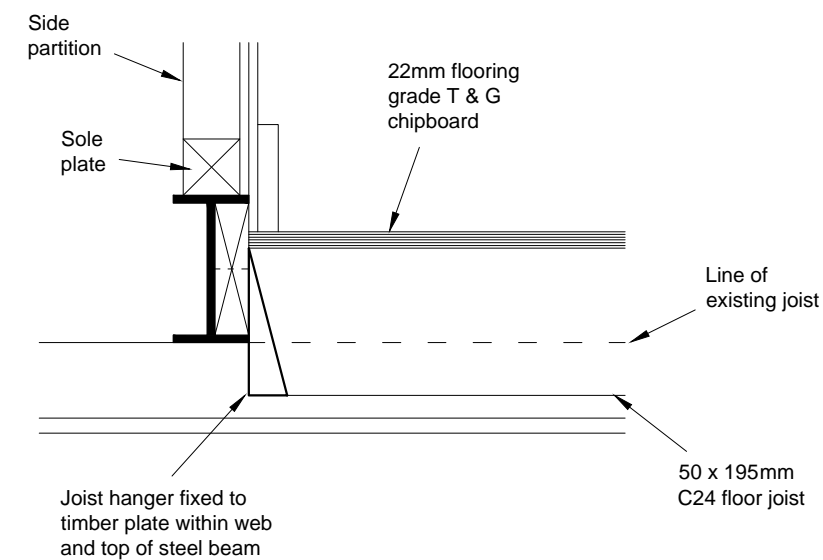
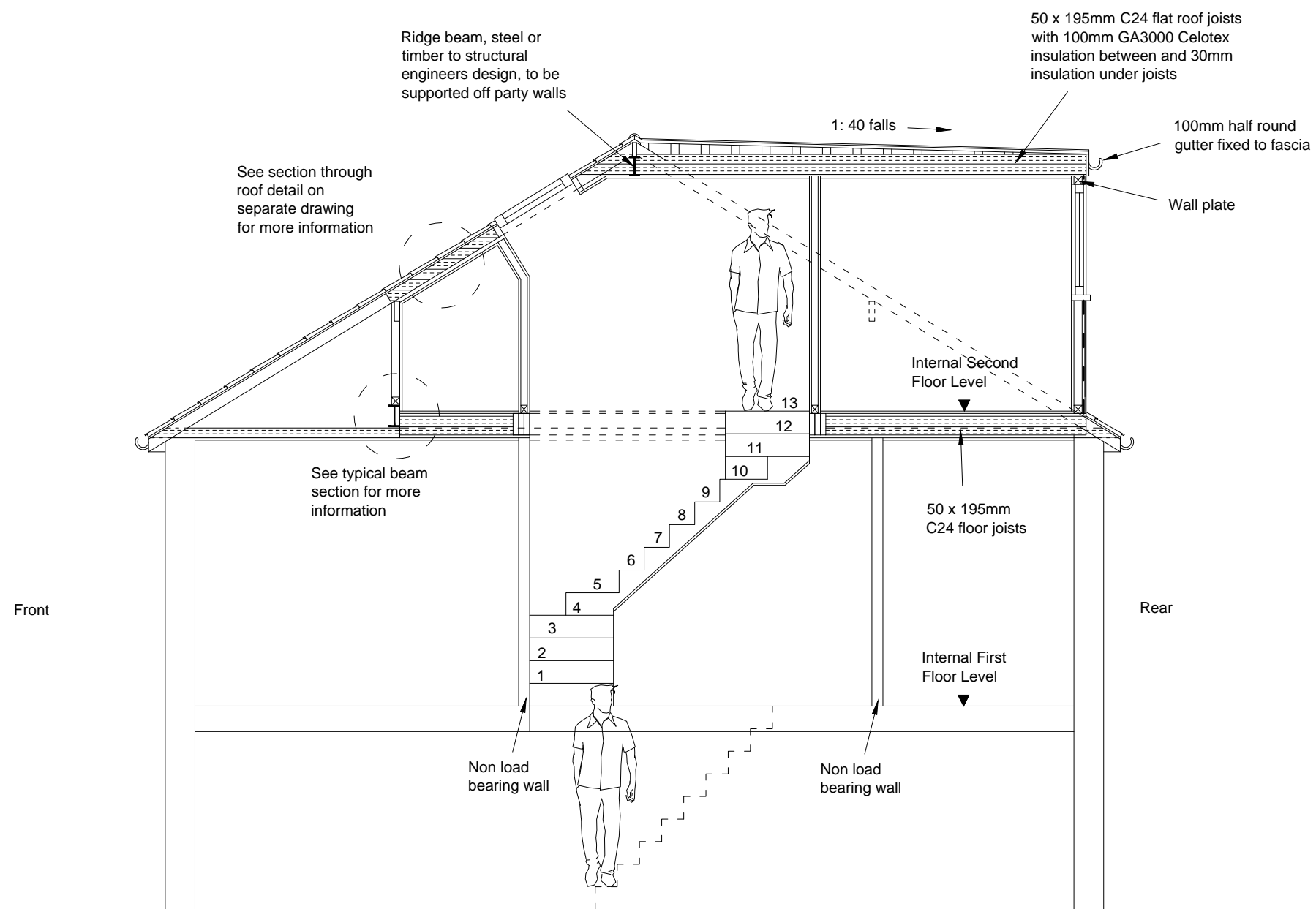


For construction details refer to building regulation notes



Typical Beam Section (1:10)

Section A - A (1:50)

	Rev:	Description of Changes:	Drawn:	Date:	Client:	Postcode:	Drawing Title:		
	-	-	-	-	Address:	Date:	Section A-A & Detail		
							Drawn: A.L	Scale: -	Rev: -
I hereby confirm that I / We are satisfied that the above drawings are correct and can be used to proceed with the works.					Print Name :		Signature:		Date: